

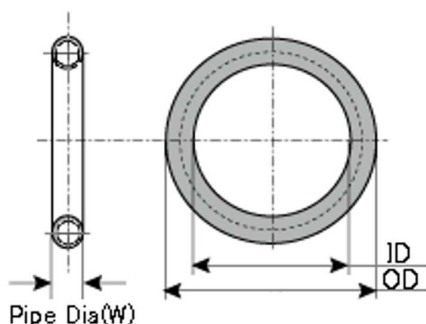


FUTO CORPORATION

1-39-2, MINAMI TOKIWADAI, ITABASHI-KU, TOKYO, JAPAN, 〒174-0072
TEL: 03-5995-8621 FAX: 03-5995-8622

富東産業株式会社 〒174-0072 東京都板橋区南常盤台 1-39-2

Hollow Metal O-Ring



O-Ring Fig.

《 Specification 》

- C-Type Pipe Dia(W) 2.39mm
(OD: $\Phi 25.40 \sim \Phi 139.70$)
- E-Type Pipe Dia(W) 3.18mm
(OD: $\Phi 50.80 \sim \Phi 76.20$)
- Material SUS316L

Key Size Table (Unit: mm)

C-Type [C-XXXX]

Model	OD	ID
C-1000	25.40	20.62
C-1125	28.58	23.80
C-1250	31.75	26.97
C-1312	33.32	28.54
C-1469	37.31	32.53
C-1500	38.10	33.32
C-1750	44.45	39.67
C-1812	46.02	41.24
C-2000	50.80	46.02
C-2125	53.98	49.20
C-2188	55.58	50.80
C-2250	57.15	52.37
C-2312	58.72	53.94
C-2438	61.93	57.15
C-2500	63.50	58.72
C-2562	65.07	60.29
C-2625	66.68	61.90
C-2688	68.28	63.50
C-2750	69.85	65.07
C-2875	73.03	68.25
C-3000	76.20	71.42
C-3062	77.77	72.99
C-3625	92.08	87.30
C-3875	98.43	93.65
C-3938	100.03	95.25
C-5500	139.70	134.92

E-Type [E-XXXX]

Model	OD	ID
E-2000	50.80	44.44
E-2188	55.58	49.22
E-2375	60.33	53.97
E-3000	76.20	69.84

* Other sizes are also available.